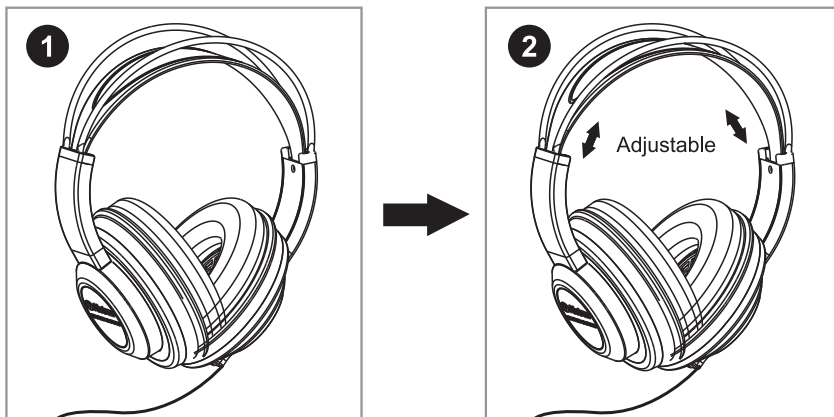


HE290 | Professional MONITORING HEADPHONE

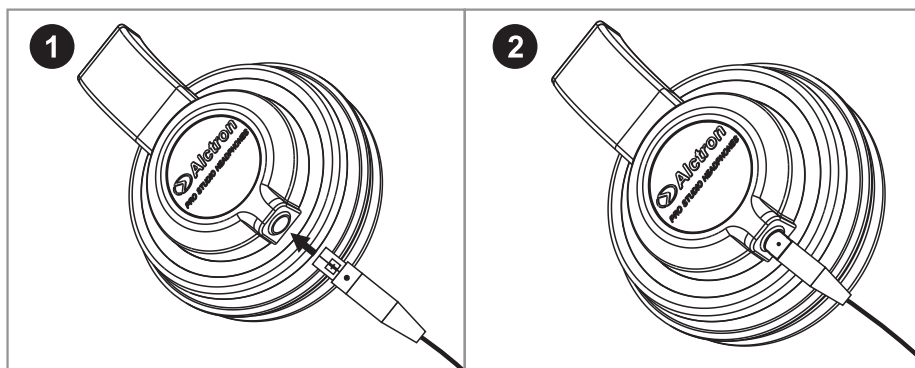
GENERAL DESCRIPTION

HE290 is a closed monitor headphone which uses high quality aluminum alloy and engineering plastic. Combining high-middle-low sound and wide range frequency offer perfect audio performance to professional audio engineers and musicians. The anti-friction and soft PU ear pads make wearing more comfortable. Due to its closed design, it filter the noise effectively and make you enjoying the music. The decorative circle and metal brand both give you a metal feeling. 50mm neodymium dynamic driver combiner with total comfort and durability to provide the ultimate listening experience, it is ideal for recording and live monitoring applications.

HOW TO USE THE HEADPHONE



CABLE LOCK



Insert the 3-pin mini female XLR into male XLR. Then lock it.

FEATURES

- * Closed design, isolated noise from outside.
- * Engineering plastic and metal combining design.
- * The detachable cable, easy to replacement.
- * Wide range frequency response.
- * Ideal for recording and live monitoring applications.
- * Adjustable collapsible headband provides comfort and portability.

MAINTENANCE

- * Get into the habit of regularly cleaning your headphones to ensure that they will last for a long time. Do not use alcohol, paint thinners or other solvents for cleaning purposes
- * Wipe your cable with a dry cloth after use if there is sweat or other dirt. Using an unlearned cable continuously will deteriorate and harden the cable, resulting in headphone malfunction
- * Do not subject the headphones to strong impact or squeeze
- * Do not use the headphone for a long time without any rest, it will be broken

CAUTION

- *To clean the headphones, use a soft damp cloth. If necessary, the headphones can be cleaned with soapy water (use a mild cleanser such as washing-up liquid). Note: Do not use solvent-containing cleansers.
- *Avoid using headphones at high volume. Hearing experts advise against continuous, loud and extended play. If you experience a ringing in your ears, reduce the volume or discontinue use.
- *This product effectively shields external sound, so you may not hear sound around you clearly while wearing the headphones. Adjust the volume to a level where you can still hear background sound and constantly check safety around you while listening to music.
- * If you feel sick while using the headphones, stop use immediately.
- * In particularly dry air conditions, noise or sound skipping may occur, or mild tingling may be felt on your ears. This is a result of static electricity accumulated in the body, and not a malfunction of the headphones. The effect can be minimized by wearing clothes made from natural materials.

TECHNICAL SPECIFICATIONS

- * Type: Closed
- * Driver: 50mm, neodymium
- * Sensitivity: 90dB SPL(1mW)
- * Frequency response: 20-20000hz
- * Max power: 300mW
- * Impedance: 32Ω
- * Cable: 3m

SERVICE

If your headphone needs servicing, follow these instructions:

1. Ensure the problem is not related to operation error or external system devices.
2. Keep this owner's manual. We don't need it to repair the unit.
3. Pack the unit in its original packaging including end card and box. This is very important. If you have lost the packaging, please make sure you have packed the unit properly. ALCTRON is not responsible for any damage that occurs due to non-factory packing.
4. Ship to the ALCTRON tech support center or the local return authorization.

Copyright © Ningbo Yinzhou Alctron Electronics Co.,Ltd. All rights reserved. Specifications and appearance subject to change without notice.

ALCTRON ELECTRONICS CO.,LTD No.76 SanCheng Road, XiuFeng Industrial Area,GaoQiao Town, NingBo China.
Tel:++86 574 87150672 Fax:++86 574 87157176 E-mail:info@alctron-audio.com
www.alctron-audio.com

HE290 专业监听耳机

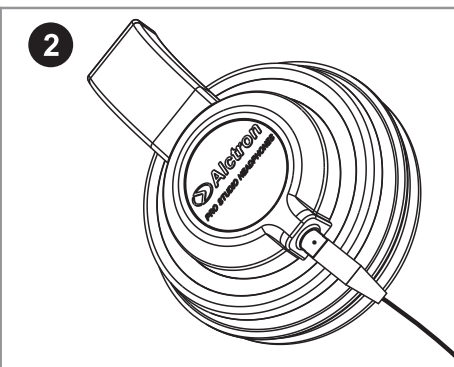
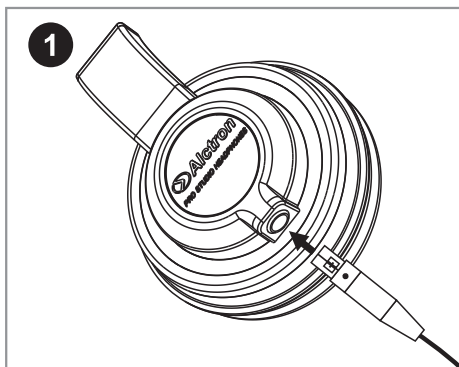
产品介绍

HE290是一款全封闭式监听耳机，整体材质采用轻质铝合金和工程塑料结合打造。优越的高中低音结合，宽阔的音频响应范围，能够为音响工程师和音乐人提供优越的音域性能。高耐磨软质PU材质，佩戴更加舒适和耐用。全封闭式设计，打造无干扰环境下，尽情享受音乐的魅力。耳机采用铝合金装饰环和金属标牌，给人以金属的质感。直径50mm钕铁硼动圈发声单元，给人震撼的聆听体验，特别适用于录音室录音和现场监听。

使用方法



线缆锁



将三针mini卡侬母插入卡侬公插座，锁紧。

产品特征

- * 全封闭式设计，隔绝外界噪音干扰。
- * 工程塑料和金属材质结合设计。
- * 可拆卸式耳机线设计，更换方便快捷。
- * 宽广的音频响应范围。
- * 适用于录音室录音和现场监听。
- * 可调的伸缩式头梁，佩戴舒适。

维 护

- * 为了能够长期使用产品，请对各部分进行清洁。清洁时，切勿使用酒精，稀释剂或其他溶液。
- * 因汗水等导致耳机线脏污时，请在使用后马上用干布擦净。如果在脏污的状态下继续使用，耳机线会劣化变硬，可能导致故障。
- * 请妥善保管耳机，避免强烈撞击和挤压。
- * 请勿长时间不间断地使用耳机，会导致耳机出现故障。

▲ 安全事项

- * 请使用柔软的湿布清洗耳机，如有需要，耳机可以用稀释的肥皂水清理（注意：请勿使用含有溶剂的清洁剂）。
- * 避免以高音量使用耳机。听力专家建议不要进行连续、高音量和长时间播放。如果耳朵产生耳鸣，请降低音量或停止使用。
- * 本产品能有效地屏蔽外界声音，因此在戴上耳机时可能无法清晰听到周围的声音。请调节音量为同时能听到周围声音，并在听音乐时注意身边安全。
- * 如果您在使用耳机时感到不适，请立即停止使用。
- * 在特别干燥的空气条件下，可能会出现噪音或跳音，或耳朵可能会感到轻微刺痛。这是由于体内积聚的静电所致，并非耳机故障。穿着天然材料制成的衣服可以将此影响减到最小。

产品参数

- * 类型：全封闭式
- * 驱动单元：直径50mm动圈钹铁硼
- * 灵敏度：90dB SPL(1mW)
- * 频响范围：20-20000hz
- * 最大功率：300mW
- * 阻抗：32Ω
- * 线长：3米

保 修

如果您的耳机需要维修，请按照以下说明操作：

1. 请确保不是因为操作不当或外部设备所造成。
2. 请保存好我们的说明书，返修的时候不必把说明书寄回给我们。
3. 返修的时候请用产品原来的包装箱来包装，这是非常重要的。如果你已丢失原包装，请确保您正确包装和保护好本产品。爱克创是不负责由于非原厂包装造成任何损害。
4. 运送到爱克创技术支持中心或当地的授权经销商。

版权所有©宁波市鄞州奥创电子有限公司,所有权保留。必要的技术数据和外观更改恕不另行通知。

宁波市鄞州奥创电子有限公司 地址：浙江省宁波市鄞州区秀丰工业区三成路76号 电话：++86 574 88009874
传真：0574-87157176 邮箱：sales@alctron-audio.com 网址：http://www.alctron-audio.com
全国统一服务热线：4000-160-112